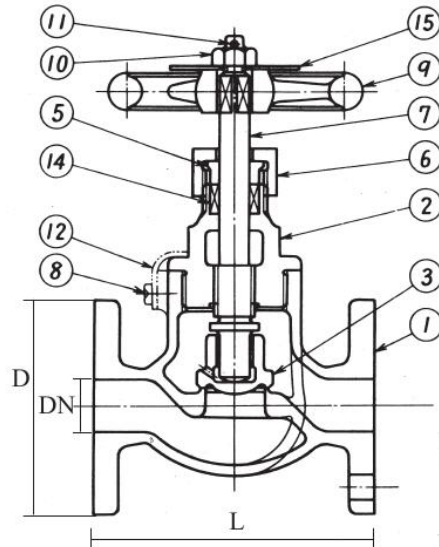


## JIS STOP VALVE 5K - F - 7301 - F - 7351

No	Part	Material
1	Body	Bronze Rg5
2	Bonnet	Bronze Rg5
3	Disc	Bronze Rg5
4		
5	Packing gland	Brass
6	Gland nut	Brass
7	Stem	Brass
8	Set screw	Brass
9	Handwheel	Cast iron
10	Hexagon nut	Brass
11	Split pin	Brass
12	Lock plate	Brass
13	Disc lock washer	Brass
14	Packing	Teflon
15	Name plate	Brass & Alu.



**Variants:**

S.D.N.R. = Non-return disc F-7351

Other dimensions/materials on request

DN	D	n	Hcd	d	L	Max working-pressure		Weight Kg
						Kg/cm <sup>2</sup> 120 °C	Kg/cm <sup>2</sup> 205 °C	
<b>F-7301</b>								
<b>F-7351</b>								
15	80	4	60	12	100	7 bar	5 bar	2,0
20	85	4	65	12	110	7 bar	5 bar	2,8
25	95	4	75	12	120	7 bar	5 bar	3,4
32	115	4	90	15	140	7 bar	5 bar	4,9
40	120	4	95	15	160	7 bar	5 bar	6,3
<b>F-7301</b>								
50	130	4	105	15	210	7 bar	5 bar	11,7
65	155	4	130	15	250	7 bar	5 bar	17,0