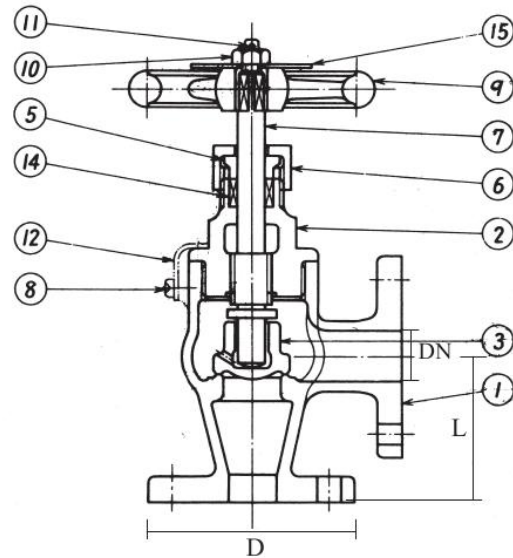


## JIS STOP VALVE 5 K - F - 7302 - F - 7352

| No | Part             | Material     |
|----|------------------|--------------|
| 1  | Body             | Bronze Rg5   |
| 2  | Bonnet           | Bronze Rg5   |
| 3  | Disc             | Bronze Rg5   |
| 4  |                  |              |
| 5  | Packing gland    | Brass        |
| 6  | Gland nut        | Brass        |
| 7  | Stem             | Brass        |
| 8  | Set screw        | Brass        |
| 9  | Handwheel        | Cast iron    |
| 10 | Hexagon nut      | Brass        |
| 11 | Split pin        | Brass        |
| 12 | Lock plate       | Brass        |
| 13 | Disc lock washer | Brass        |
| 14 | Packing          | Teflon       |
| 15 | Name plate       | Brass & Alu. |



**Variants:**

S.D.N.R. = Non-return disc F-7352

Other dimensions/materials on request

| DN            | D   | n | Hcd | d  | L   | Max working-pressure      |                           | Weight Kg |
|---------------|-----|---|-----|----|-----|---------------------------|---------------------------|-----------|
|               |     |   |     |    |     | Kg/cm <sup>2</sup> 120 °C | Kg/cm <sup>2</sup> 205 °C |           |
| <b>F-7302</b> |     |   |     |    |     |                           |                           |           |
| <b>F-7352</b> |     |   |     |    |     |                           |                           |           |
| 15            | 80  | 4 | 60  | 12 | 50  | 7 bar                     | 5 bar                     | 2,0       |
| 20            | 85  | 4 | 65  | 12 | 60  | 7 bar                     | 5 bar                     | 2,8       |
| 25            | 95  | 4 | 75  | 12 | 65  | 7 bar                     | 5 bar                     | 3,4       |
| 32            | 115 | 4 | 90  | 15 | 80  | 7 bar                     | 5 bar                     | 4,9       |
| 40            | 120 | 4 | 95  | 15 | 85  | 7 bar                     | 5 bar                     | 6,0       |
| <b>F-7302</b> |     |   |     |    |     |                           |                           |           |
| 50            | 130 | 4 | 105 | 15 | 100 | 7 bar                     | 5 bar                     | 10,1      |
| 65            | 155 | 4 | 130 | 15 | 115 | 7 bar                     | 5 bar                     | 15,6      |
|               |     |   |     |    |     |                           |                           |           |
|               |     |   |     |    |     |                           |                           |           |