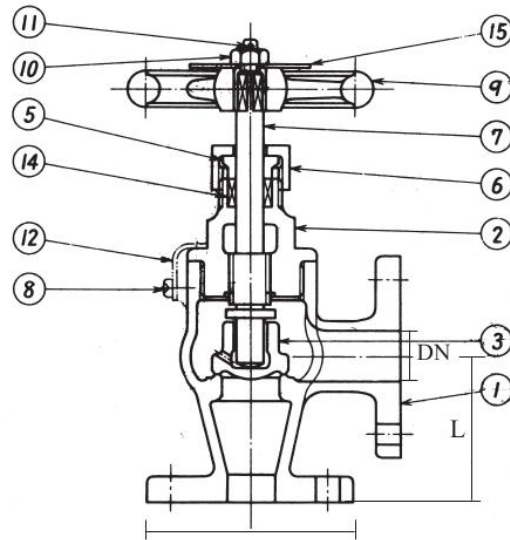




JIS STOP VALVE 16K - F - 7304 - F - 7410

No	Part	Material
1	Body	Bronze Rg5
2	Bonnet	Bronze Rg5
3	Disc	Bronze Rg5
4		
5	Packing gland	Brass
6	Gland nut	Brass
7	Stem	Brass
8	Set screw	Brass
9	Handwheel	Cast iron
10	Hexagon nut	Brass
11	Split pin	Brass
12	Lock plate	Brass
13	Disc lock washer	Brass
14	Packing	Teflon
15	Name plate	Brass & Alu.



Variants:

S.D.N.R. = Non-return disc F-7410

Other dimensions/materials on request

DN	D	n	Hcd	d	L	Max working-pressure		Weight Kg
						Kg/cm ² 120 °C	Kg/cm ² 205 °C	
15	95	4	70	15	70	22 bar	16 bar	2,0
20	100	4	75	15	75	22 bar	16 bar	2,8
25	125	4	90	19	85	22 bar	16 bar	3,4
32	135	4	100	19	95	22 bar	16 bar	4,9
40	140	4	105	19	100	22 bar	16 bar	6,3