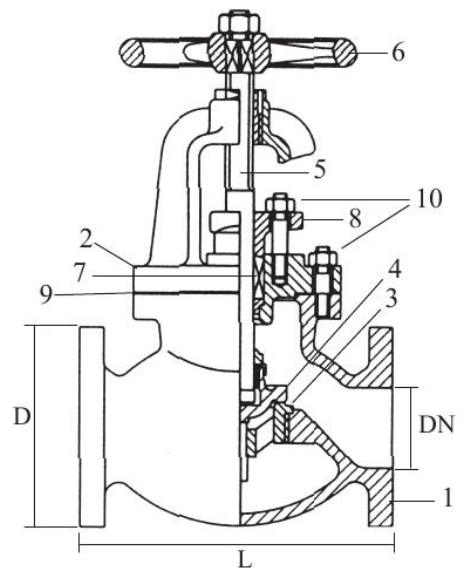


## JIS STOP VALVE 5K - F - 7305 - F - 7353

No	Part	Material
1	Body	Cast iron GG25
2	Bonnet	Cast iron GG25
3	Seat ring	Bronze Rg5
4	Disc	Bronze Rg5
5	Stem	Special brass
6	Handwheel	Cast iron
7	Glandpacking	Graphite
8	Gland	Bronze Rg5
9	Gasket	Graphite
10	Bolt/Nut	Brass / Rolled steel
11		
12		
13		
14		
15		



**Variants:**

S.D.N.R. = Non-return disc F-7353

Stainless steel trim

Other dimensions/materials on request

DN	D	n	Hcd	d	L	Max working-pressure		Weight Kg
						Kg/cm <sup>2</sup> 120 °C	Kg/cm <sup>2</sup> 205 °C	
50	130	4	105	15	210	7 bar	5 bar	14,7
65	155	4	130	15	250	7 bar	5 bar	21,3
80	180	4	145	19	280	7 bar	5 bar	27,7
100	200	8	165	19	340	7 bar	5 bar	40,8
125	235	8	200	19	410	7 bar	5 bar	57,6
150	265	8	230	19	480	7 bar	5 bar	80,3
200	320	8	280	23	570	7 bar	5 bar	139,0
250	385	12	345	23	740	7 bar	5 bar	246,0
300	430	12	390	23	840	7 bar	5 bar	377,0
350	480	12	435	25	940	1 bar	5 bar	462,0