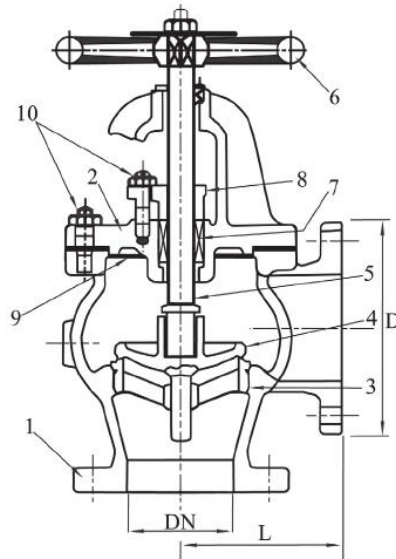


## JIS STOP VALVE 5K - F - 7306 - F- 7354

No	Part	Material
1	Body	Cast iron GG25
2	Bonnet	Cast iron GG25
3	Seat ring	Bronze Rg5
4	Disc	Bronze Rg5
5	Stem	Special brass
6	Handwheel	Cast iron
7	Glandpacking	Graphite
8	Gland	Bronze Rg5
9	Gasket	Graphite
10	Bolt/Nut	Brass / Rolled steel
11		+
12		
13		
14		
15		.



**Variants:**

S.D.N.R. = Non-return disc F-7354

Stainless steel trim

Other dimensions/materials on request

DN	D	n	Hcd	d	L	Max working-pressure		Weight Kg
						Kg/cm <sup>2</sup> 120 °C	Kg/cm <sup>2</sup> 205 °C	
50	130	4	105	15	100	7 bar	5 bar	12,9
65	155	4	130	15	115	7 bar	5 bar	18,2
80	180	4	145	19	130	7 bar	5 bar	23,4
100	200	8	165	19	150	7 bar	5 bar	33,7
125	235	8	200	19	170	7 bar	5 bar	46,2
150	265	8	230	19	190	7 bar	5 bar	63,4
200	320	8	280	23	220	7 bar	5 bar	105,0
250	385	12	345	23	275	7 bar	5 bar	166,0
300	430	12	390	23	310	7 bar	5 bar	243,0
350	480	12	435	25	360	7 bar	5 bar	327,0