

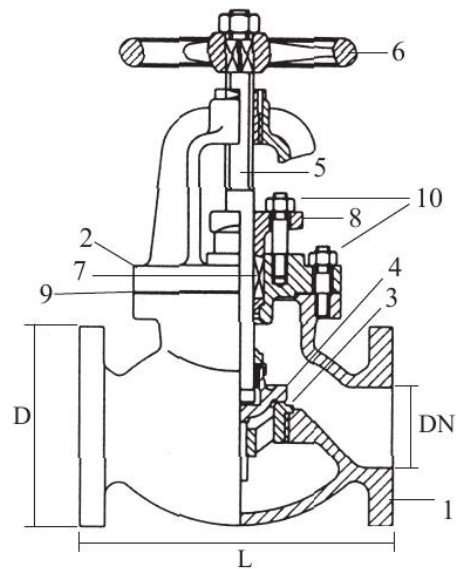
VALVE CENTER



INDUSTRIAL VALVE STOCKIST, ACTUATORS AND RELATED EQUIPMENT

JIS STOP VALVE 16K - F - 7309 - F - 7377

No	Part	Material
1	Body	Cast iron GG25
2	Bonnet	Cast iron GG25
3	Seat ring	Bronze Rg5
4	Disc	Bronze Rg5
5	Stem	Special brass
6	Handwheel	Cast iron
7	Glandpacking	Graphite
8	Gland	Bronze Rg5
9	Gasket	Graphite
10	Bolt/Nut	Brass / Rolled steel
11		
12		
13		
14		
15		



Variants:

S.D.N.R. = Non-return disc F-7377

Stainless steel trim

Other dimensions/materials on request

DN	D	n	Hcd	d	L	Max working-pressure		Weight Kg
						Kg/cm ² 120 °C	Kg/cm ² 205 °C	
40	140	4	105	19	180	22 bar	16 bar	13,5
50	155	8	120	19	220	22 bar	16 bar	19,9
65	175	8	140	19	270	22 bar	16 bar	28,7
80	200	8	160	23	300	22 bar	16 bar	32,4
100	225	8	185	23	350	22 bar	16 bar	48,7
125	270	8	225	25	430	22 bar	16 bar	73,1
150	305	12	260	25	500	22 bar	16 bar	104,0
200	350	12	305	25	570	22 bar	16 bar	162,0