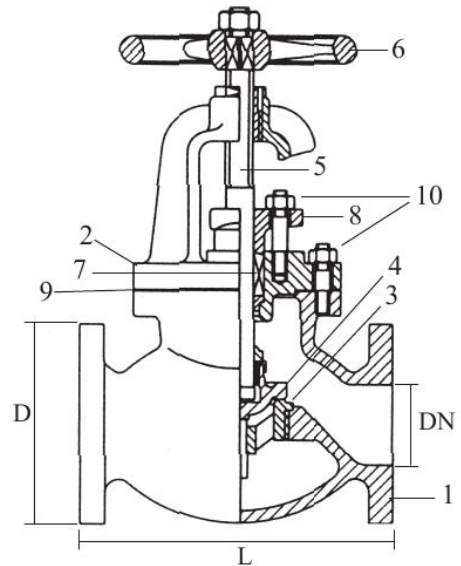


JIS STOP VALVE 20K - F - 7313 - F - 7473

| No | Part | Material |
|----|--------------|------------------|
| 1 | Body | Cast steel GSC25 |
| 2 | Bonnet | Cast steel GSC25 |
| 3 | Seat ring | Stainless steel |
| 4 | Disc | Stainless steel |
| 5 | Stem | Stainless steel |
| 6 | Handwheel | Cast iron |
| 7 | Glandpacking | Graphite |
| 8 | Gland | Bronze Rg5 |
| 9 | Gasket | Graphite |
| 10 | Bolt/Nut | Rolled steel |
| 11 | | |
| 12 | | |
| 13 | | |
| 14 | | |
| 15 | | |



Variants:

S.D.N.R. = Non-return disc F-7473

Bronze Rg5 trim

Other dimensions/materials on request

| DN | D | n | Hcd | d | L | Max working-pressure | | Weight Kg |
|-----|-----|----|-----|----|-----|---------------------------|---------------------------|-----------|
| | | | | | | Kg/cm ² 120 °C | Kg/cm ² 350 °C | |
| 32 | 135 | 4 | 100 | 19 | 190 | 31 bar | 26 bar | 14,4 |
| 40 | 140 | 4 | 105 | 19 | 200 | 31 bar | 26 bar | 16,0 |
| 50 | 155 | 8 | 120 | 19 | 230 | 31 bar | 26 bar | 21,6 |
| 65 | 175 | 8 | 140 | 19 | 270 | 31 bar | 26 bar | 30,4 |
| 80 | 200 | 8 | 160 | 23 | 300 | 31 bar | 26 bar | 43,5 |
| 100 | 225 | 8 | 185 | 23 | 350 | 31 bar | 26 bar | 62,3 |
| 125 | 270 | 8 | 225 | 25 | 430 | 31 bar | 26 bar | 94,8 |
| 150 | 305 | 12 | 260 | 25 | 500 | 31 bar | 26 bar | 132,0 |
| 200 | 350 | 12 | 305 | 25 | 560 | 31 bar | 26 bar | 204,0 |
| 250 | 430 | 12 | 380 | 27 | 660 | 31 bar | 26 bar | 336,0 |
| | | | | | | | | |
| | | | | | | | | |
| | | | | | | | | |