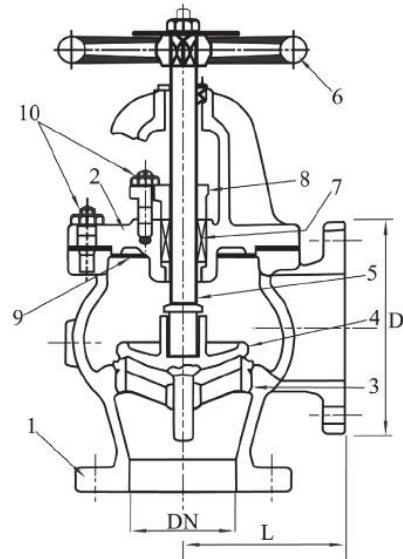


JIS STOP VALVE 20K - F - 7314 - F - 7474

No	Part	Material
1	Body	Cast steel GSC25
2	Bonnet	Cast steel GSC25
3	Seat ring	Stainless steel
4	Disc	Stainless steel
5	Stem	Stainless steel
6	Handwheel	Cast iron
7	Glandpacking	Graphite
8	Gland	Bronze Rg5
9	Gasket	Graphite
10	Bolt/Nut	Rolled steel
11		
12		
13		
14		
15		



Variants:

S.D.N.R. = Non-return disc F-7474
Bronze Rg5 trim

Other dimensions/materials on request

DN	D	n	Hcd	d	L	Max working-pressure		Weight Kg
						Kg/cm ² 120 °C	Kg/cm ² 350 °C	
32	135	4	100	19	125	31 bar	26 bar	13,0
40	140	4	105	19	135	31 bar	26 bar	15,2
50	155	8	120	19	125	31 bar	26 bar	20,0
65	175	8	140	19	135	31 bar	26 bar	26,9
80	200	8	160	23	150	31 bar	26 bar	38,9
100	225	8	185	23	170	31 bar	26 bar	54,4
125	270	8	225	25	200	31 bar	26 bar	79,9
150	305	12	260	25	225	31 bar	26 bar	111,0
200	350	12	305	25	280	31 bar	26 bar	181,0
250	430	12	380	27	310	31 bar	26 bar	283,0