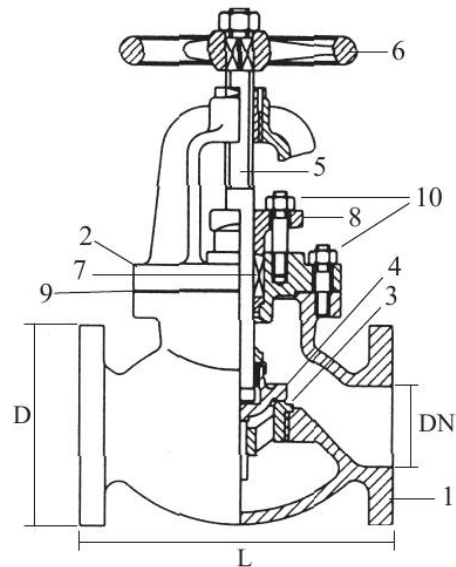


JIS STOP VALVE 10K - F - 7319 - F - 7471

| No | Part | Material |
|----|--------------|------------------|
| 1 | Body | Cast steel GSC25 |
| 2 | Bonnet | Cast steel GSC25 |
| 3 | Seat ring | Stainless steel |
| 4 | Disc | Stainless steel |
| 5 | Stem | Stainless steel |
| 6 | Handwheel | Cast iron |
| 7 | Glandpacking | Graphite |
| 8 | Gland | Bronze Rg5 |
| 9 | Gasket | Graphite |
| 10 | Bolt/Nut | Rolled steel |
| 11 | | |
| 12 | | |
| 13 | | |
| 14 | | |
| 15 | | |



Variants:

S.D.N.R. = Non-return disc F-7471

Bronze Rg5 trim

Other dimensions/materials on request

| DN | D | n | Hcd | d | L | Max working-pressure | | Weight Kg |
|-----|-----|----|-----|----|-----|------------------------------|------------------------------|--------------|
| | | | | | | Kg/cm ² 120 °C | Kg/cm ² 350 °C | |
| 50 | 155 | 4 | 120 | 19 | 220 | 14 bar | 10 bar | 17,9 |
| 65 | 175 | 4 | 140 | 19 | 270 | 14 bar | 10 bar | 26,0 |
| 80 | 185 | 8 | 150 | 19 | 300 | 14 bar | 10 bar | 29,8 |
| 100 | 210 | 8 | 175 | 19 | 350 | 14 bar | 10 bar | 44,7 |
| 125 | 250 | 8 | 210 | 23 | 420 | 14 bar | 10 bar | 70,3 |
| 150 | 280 | 8 | 240 | 23 | 490 | 14 bar | 10 bar | 96,4 |
| 200 | 330 | 12 | 290 | 23 | 570 | 14 bar | 10 bar | 159,0 |
| 250 | 400 | 12 | 355 | 25 | 740 | 14 bar | 10 bar | 257,0 |
| 300 | 445 | 16 | 400 | 25 | 840 | 14 bar | 10 bar | 370,0 |
| | | | | | | | | |
| | | | | | | | | |
| | | | | | | | | |
| | | | | | | | | |