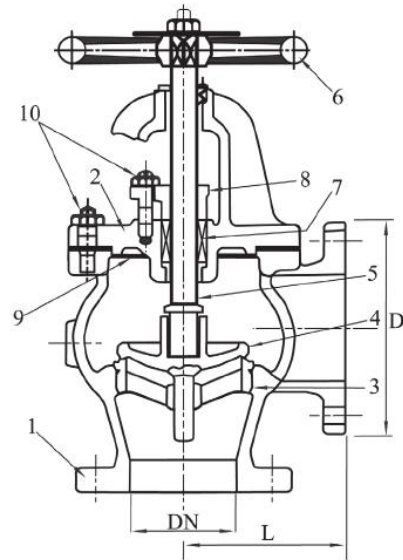


## JIS STOP VALVE 10K - F - 7320 - F - 7472

No	Part	Material
1	Body	Cast steel GSC25
2	Bonnet	Cast steel GSC25
3	Seat ring	Stainless steel
4	Disc	Stainless steel
5	Stem	Stainless steel
6	Handwheel	Cast iron
7	Glandpacking	Graphite
8	Gland	Bronze Rg5
9	Gasket	Graphite
10	Bolt/Nut	Rolled steel
11		
12		
13		
14		
15		



**Variants:**

S.D.N.R. = Non-return disc F-7472

Bronze Rg5 trim

Other dimensions/materials on request

DN	D	n	Hcd	d	L	Max working-pressure		Weight Kg
						Kg/cm <sup>2</sup> 120 °C	Kg/cm <sup>2</sup> 350 °C	
50	155	4	120	19	120	14 bar	10 bar	16,3
65	175	4	140	19	130	14 bar	10 bar	23,0
80	185	8	150	19	140	14 bar	10 bar	25,3
100	210	8	175	19	160	14 bar	10 bar	37,0
125	250	8	210	23	180	14 bar	10 bar	51,1
150	280	8	240	23	205	14 bar	10 bar	77,2
200	330	12	290	23	230	14 bar	10 bar	116,0
250	400	12	355	25	290	14 bar	10 bar	188,0
300	445	16	400	25	320	14 bar	10 bar	256,0