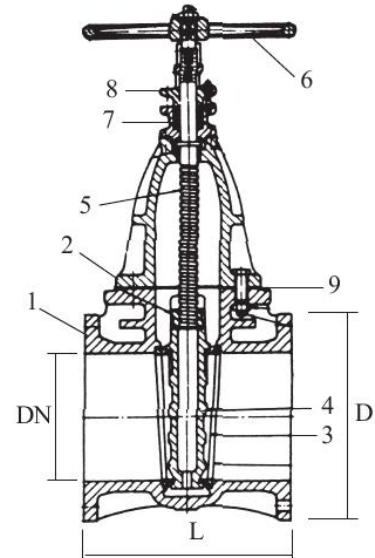


JIS - GATE VALVE 10K - F - 7364

No	Part	Material
1	Body	Cast iron GG25
2	Bonnet	Cast iron GG25
3	Seat ring	Bronze Rg5
4	Disc	Bronze Rg5
5	Stem	Special brass
6	Handwheel	Cast iron
7	Glandpacking	Graphite
8	Gland	Bronze Rg5
9	Gasket	Graphite
10		
11		
12		
13		
14		
15		



Variants:
Stainless steel trim

Other dimensions/materials on request

DN	D	n	Hcd	d	L	Max working-pressure		Weight Kg
						Kg/cm ² 120 °C	Kg/cm ² 205 °C	
50	155	4	120	19	200	14 bar	10 bar	12,0
65	175	4	140	19	220	14 bar	10 bar	17,0
80	185	8	150	19	230	14 bar	10 bar	20,0
100	210	8	175	19	250	14 bar	10 bar	25,0
125	250	8	210	23	270	14 bar	10 bar	39,0
150	280	8	240	23	290	14 bar	10 bar	49,0
200	330	12	290	23	320	14 bar	10 bar	76,0
250	400	12	355	25	380	14 bar	10 bar	116,0
300	445	16	400	25	440	14 bar	10 bar	156,0
350	490	16	445	25	500	14 bar	10 bar	210,0
400	560	16	510	27	590	14 bar	10 bar	265,0
500	675	20	620	27	710	14 bar	8 bar	420,0
600	795	24	730	33	850	14 bar	8 bar	575,0