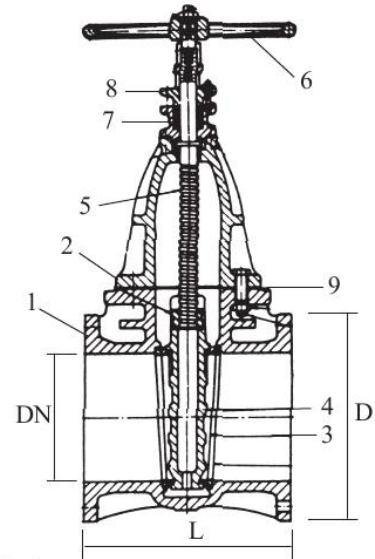


## JIS - GATE VALVE 10K - F - 7366

No	Part	Material
1	Body	Cast steel GSC25
2	Bonnet	Cast steel GSC25
3	Seat ring	Stainless steel
4	Disc	Stainless steel
5	Stem	Stainless steel
6	Handwheel	Cast iron
7	Glandpacking	Graphite
8	Gland	Bronze Rg5
9	Gasket	Graphite
10		
11		
12		
13		
14		
15		



**Variants:**

Bronze Rg5 trim

Other dimensions/materials on request

DN	D	n	Hcd	d	L	Max working-pressure		Weight Kg
						Kg/cm2 120 °C	Kg/cm2 350 °C	
50	155	4	120	19	200	14 bar	10 bar	27,0
65	175	4	140	19	220	14 bar	10 bar	37,0
80	185	8	150	19	230	14 bar	10 bar	45,0
100	210	8	175	19	250	14 bar	10 bar	58,0
125	250	8	210	23	270	14 bar	10 bar	86,0
150	280	8	240	23	290	14 bar	10 bar	110,0
200	330	12	290	23	310	14 bar	10 bar	183,0
250	400	12	355	25	340	14 bar	10 bar	270,0
300	445	16	400	25	380	14 bar	10 bar	373,0
350	490	16	445	25	420	14 bar	10 bar	450,0
400	560	16	510	27	480	14 bar	10 bar	530,0